

TURBO STANDARD PRO DN 5 7/8"

Roof-vent

Catalog no.: **T21**

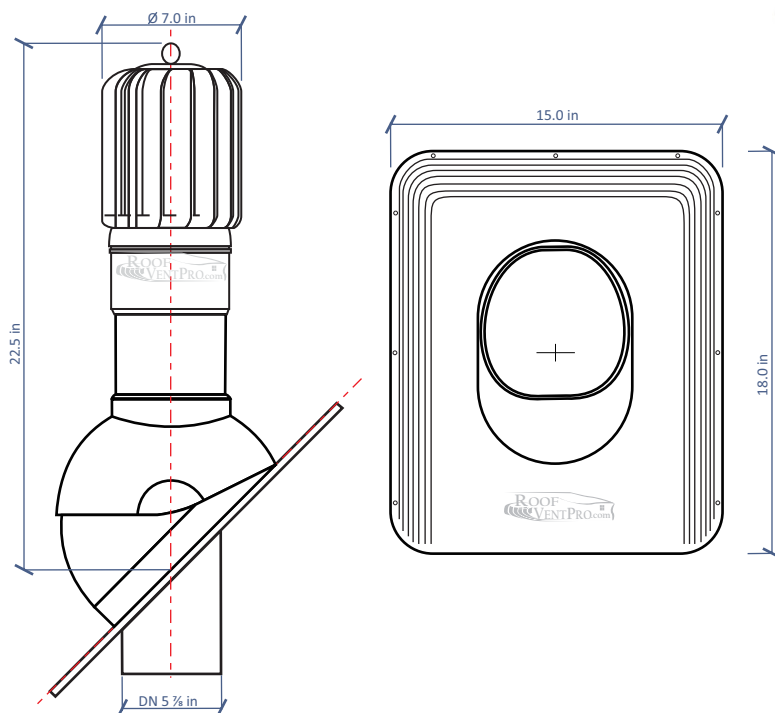
Complete roof-vent with profiled pass-through, installed directly on PVC pipe, roof shingles, aluminum shingles, slate and cedar shake roof.

Rotating roof-vent harnesses wind power which supports air circulation.

Technical data:

- Roof surface: roof shingles, aluminum shingles, slate and cedar shake roof.
 - Type: non-insulated
 - Adjustable angle: 0°-45°
 - Dimensions: DN 5 7/8 / H 23.25in
 - Package: 1pc/set
 - Box size: 17x11x20
 - Quantity on euro-pallet (71in): 20 pcs
 - Net weight: 4.96 lbs
 - Gross: 6.39 lbs
 - Built-in level - bubble level
- Material: PP-polypropylene dyed in mass
UV stabilized

Technical drawing:



Available colors:



Set includes:

- roof-vent
- pass through
- 4 pcs of farmer screws in roof-vent color