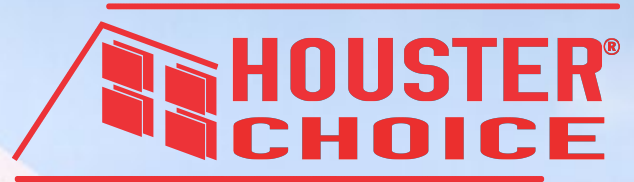




Worthouse.®

Smart Metal Roofing



Supre

MODULAR METAL ROOFING TILE

Ulta

MODULAR METAL ROOFING TILE

Flamingo

MODULAR METAL GUTTER SYSTEM



**MODULAR
METAL
ROOFING
TILE**

26 GAUGE, G90

Supre and Ulta are made from ArcelorMittal steel
– the largest steel producer in the world



Steel is durable

Steel roofing products have nearly twice the lifespan of conventional roofing products



Steel is eco-friendly

Steel can be recycled endlessly, which makes it one of the most environmentally friendly materials



Steel protects

Our steel roofing products have achieved the highest hurricane wind protection, hail impact and fire safety ratings in the US



Extreme weather and impact protection

Against hailstorm, rain, snow, heat and wind
Our products have achieved Class 4 ratings according to the UL 2218 Roof Impact Classifications



Fire protection

We got an "A" in fire protection according to the UL 790 (ASTM E 108) Fire Protection Ratings



High wind protection

We achieved the Class 90 certification for the UL 580 Wind Uplift Resistance test. We have tested our products at wind speeds over 200 mph



The quality of our roofs has been recognized and certified by the Underwriters Laboratories. UL is the largest independent testing laboratory in the world. It is dedicated to promoting safe living and working environments.



SUPRE, ULTA PROTECTS MY HOME





Covered with the Noble Matt coating, it effectively protects against long-term wear and provides maximum corrosion resistance in any conceivable application.

Stable and constant

The Noble Matt coating not only protects against discoloration, but also functions as an all weather shield.

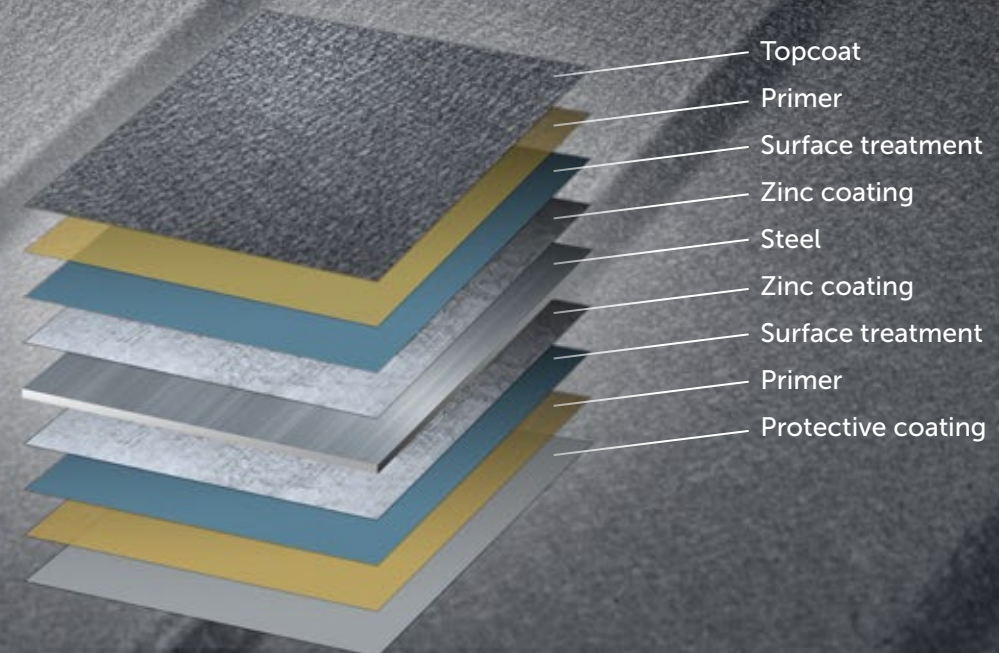
It says no to re-roofing

Forget about re-roofing. Supre and Ultra will serve you reliably for generations. The steel and protective shield form a really powerful duo of protection.

G90
0.90
oz/ft²

ZINC
275
minimum g/m²

PROTECTIVE SHIELD





SUPRE

ULTA

Weight of one pallet:
2920 lb

Quantity per pallet:
350 pcs

Effective surface area of one pallet:
3032 sq. ft

Weight of one pallet:
2650 lb

Quantity per pallet:
319 pcs

Effective surface area of one pallet:
2739 sq. ft



Simple transport

One pallet contains over 3000 sq. ft (Supre), 2700 sq. ft (Ulta) of material – enough to cover an average size roof



Easy to install

Pre-drilled holes and modular assembly speed up installation and reduce mistakes



Cost effective installation

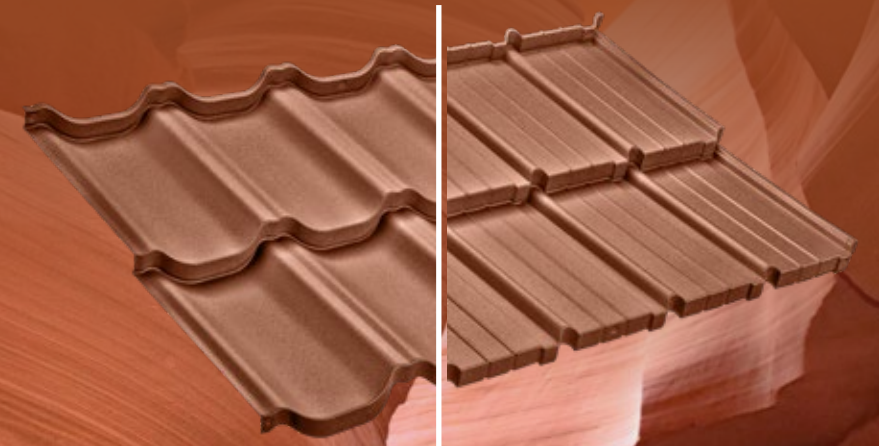
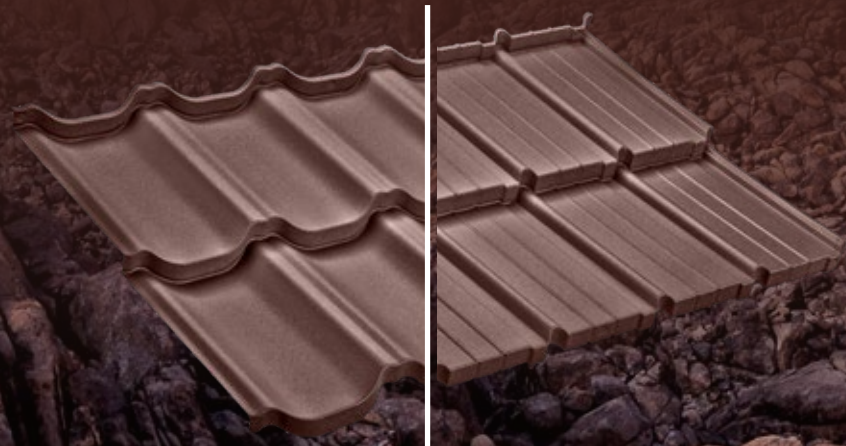
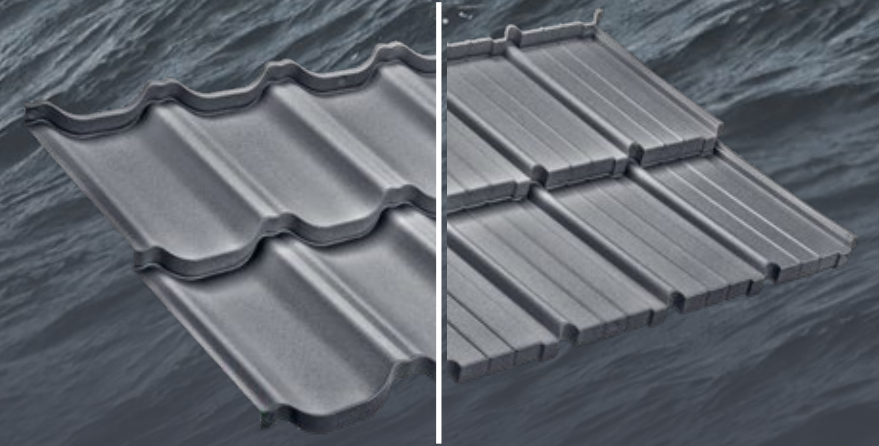
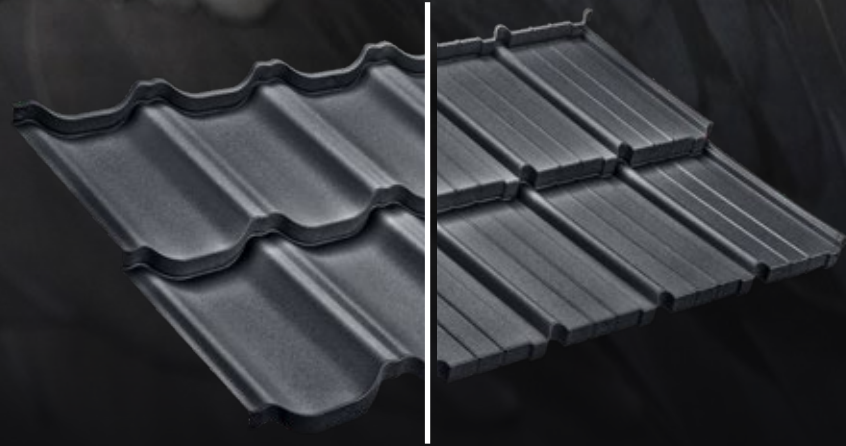
Our products average less than 5% waste during installation compared to industry norms greater than 10%

Take to the sky with Raven Black

Ravens are very intelligent birds, which played an integral role in the mythology of the indigenous peoples of the Pacific Northwest, as well as art and literature. For many cultures the bird was a religious symbol. Some even believed that it was God. Raven Black. The color of freedom

Dive deep into the Pacific Gray

The Pacific is the largest and deepest ocean on Earth. It covers almost 1/3 of the earth's surface. Its depth reaches more than 35 thousand feet. Pacific Gray. The color of mystic nature



Raven Black

Pacific Gray

WE TAKE PRIDE

IN EVERY COLOR

Sierra Brown

Worthouse.®

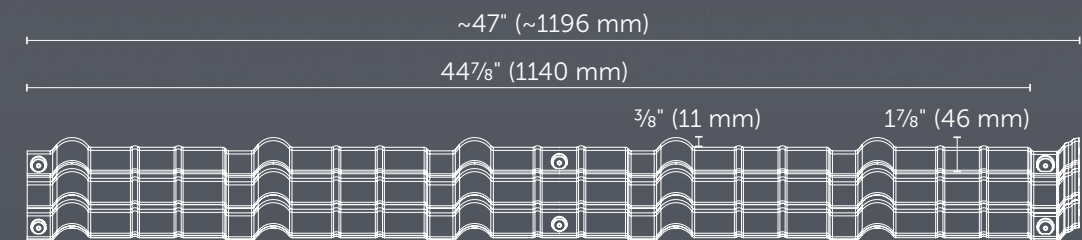
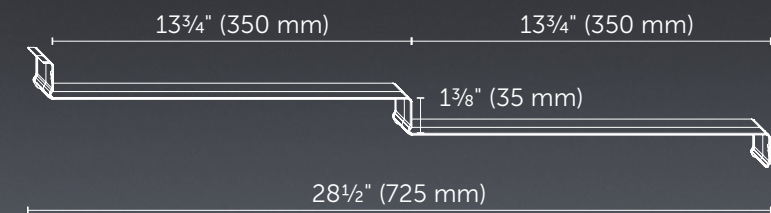
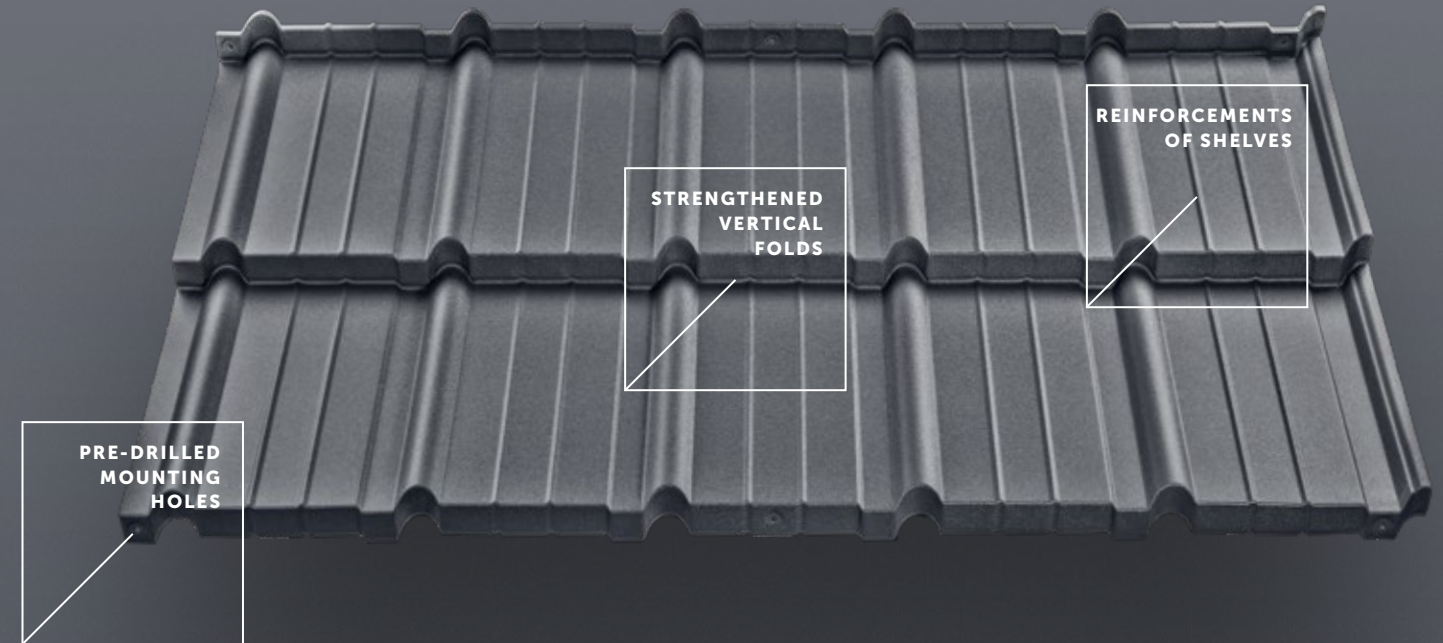
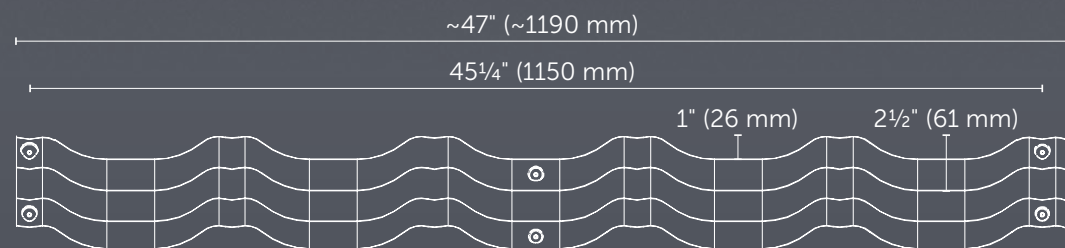
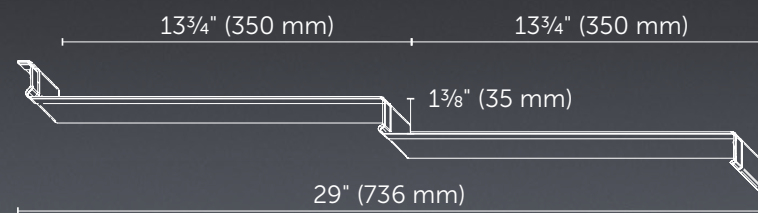
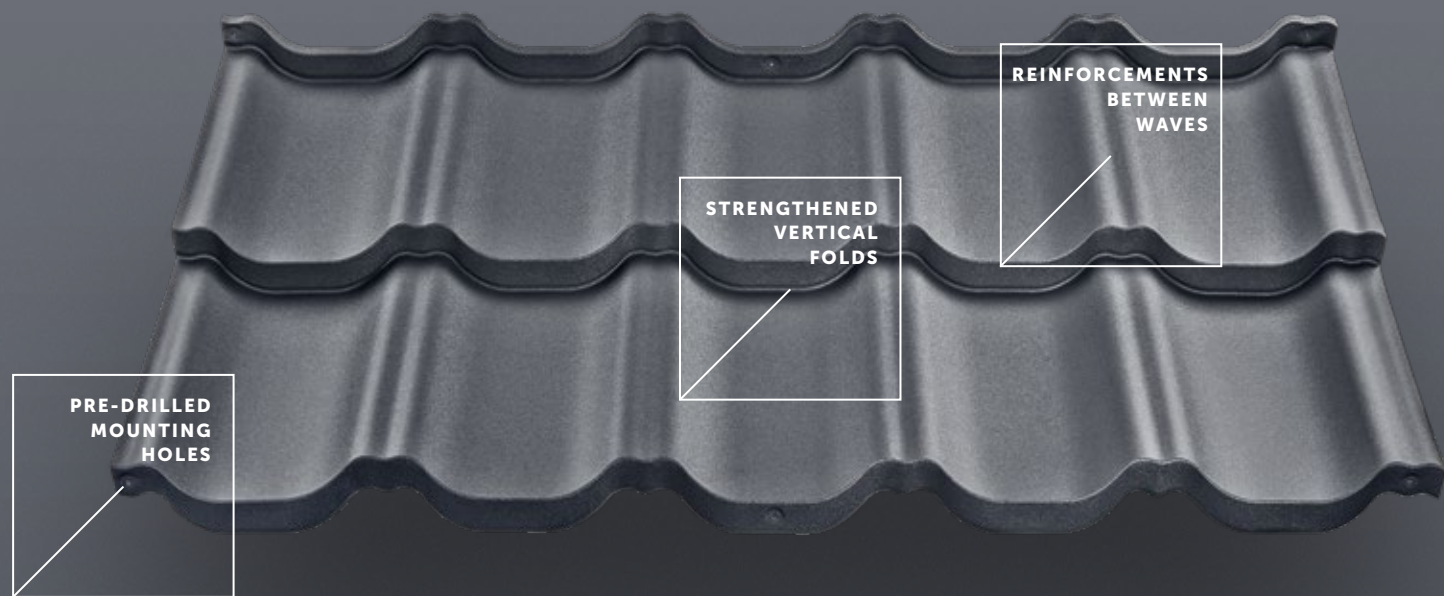
Canyon Red

Dare to conquer with Sierra Brown

The Sierra Nevada is a mountain range in the Western United States. Its highest peak – Mount Whitney – reaches an elevation of 14,505 feet. The foothills of this mountain range are home to the California Gold Rush of the 19th century. Sierra Brown. The color of a true conqueror

Experience Canyon Red – one of nature's true wonders

The Grand Canyon is the largest river gorge in the world, located in Arizona. It is 277 miles long, about 6,000 feet deep and the home of whitewater rafting. Canyon Red. The color of adventure



Supre



Effective width	Total width	Weight per piece
3.77 ft 1150 mm	3.9 ft 1190 mm	8.16 lb 3.7 kg

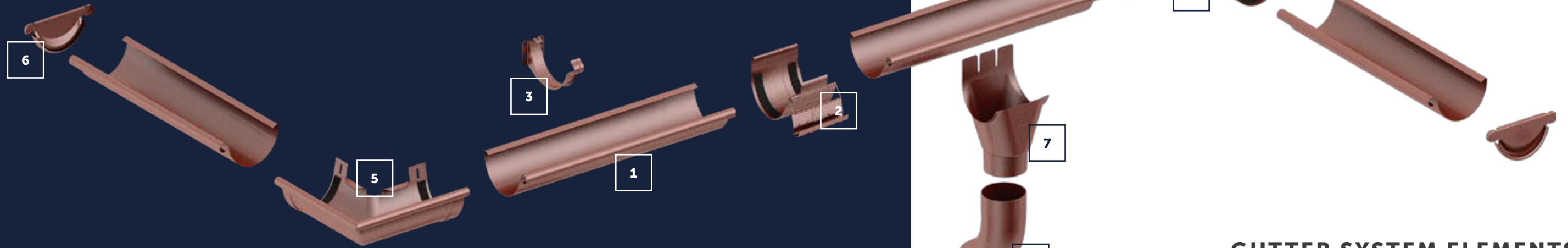
Effective surface area of one sheet	Quantity per pack	Effective surface area of one pack
8.66 sq. ft 0.805 sq. m	350 pcs	3032 sq. ft 281.75 sq. m

Ulta



Effective width	Total width	Weight per piece
3.74 ft 1140 mm	3.92 ft 1196 mm	8.16 lb 3.7 kg

Effective surface area of one sheet	Quantity per pack	Effective surface area of one pack
8.59 sq. ft 0.798 sq. m	319 pcs	2739 sq. ft 254.56 sq. m



SYSTEM

5³/₄" / 3¹/₂"

COLORS

 **Brown** ~RAL 8028/8017
GreenCoat RWS 434

 **Graphite** ~RAL 7011
GreenCoat RWS 087

 **Black** ~RAL 9005
GreenCoat RWS 015

 **White** ~RAL 9002
GreenCoat RWS 001

 **Brick-red** ~RAL 8004
GreenCoat RWS 742

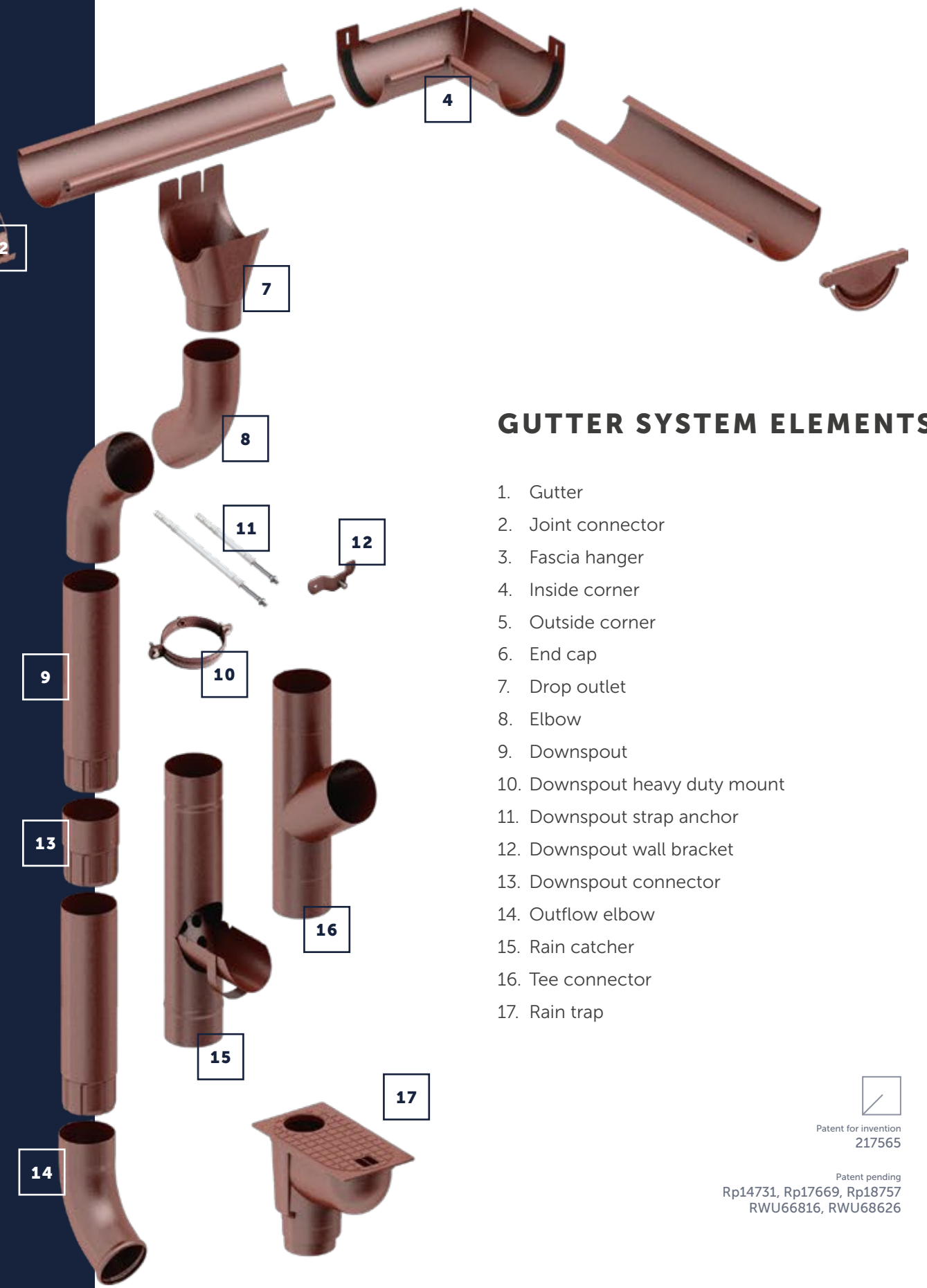
30
YEAR
WARRANTY

GREENCOAT® RWS
COLORFUL STEEL

SSAB

The colors shown are illustrative and may vary from the actual ones.

**RAIN-THIRSTY
FLAMINGO**



GUTTER SYSTEM ELEMENTS

1. Gutter
2. Joint connector
3. Fascia hanger
4. Inside corner
5. Outside corner
6. End cap
7. Drop outlet
8. Elbow
9. Downspout
10. Downspout heavy duty mount
11. Downspout strap anchor
12. Downspout wall bracket
13. Downspout connector
14. Outflow elbow
15. Rain catcher
16. Tee connector
17. Rain trap


Patent for invention
217565

Patent pending
Rp14731, Rp17669, Rp18757
RWU66816, RWU68626



Excellent tightness

Flamingo elements are moulded in specially designed, patented moulds. Forget about the leaks when assembled



Only the best materials

Flamingo was manufactured from GreenCoat RWS (Rain Water System) steel produced by SSAB – a Swedish global steel company. GreenCoat RWS was developed specifically to create high quality gutter systems

It has a double sided coating and is exceptionally durable. Coatings used in GreenCoat RWS products include polymer grains, which improve the surface scratch resistance



Evenness for years

Flamingo has a 30-year warranty for the C1-C4 environmental class (industrial and coastal areas with a high aggressiveness of the corrosive environment)



Safe transport and storage

Flamingo elements are factory-protected with foil. We transport it in specially designed packaging and care about the highest standard of storage



GUTTER



JOINT CONNECTOR



DROP OUTLET



INSIDE CORNER
90°



OUTSIDE CORNER
90°



FASCIA HANGER

END CAP

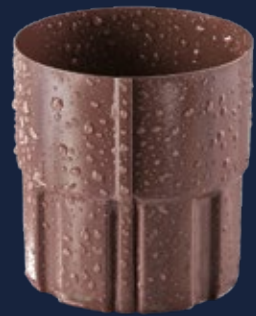


DOWNPOUT



DOWNPOUT
HEAVY DUTY
MOUNT

DOWNPOUT CONNECTOR



ELBOW



60°

TEE CONNECTOR

RAIN CATCHER



60°

OUTFLOW ELBOW



High resistance to environmental conditions

GreenCoat RWS products are a lightweight construction material with a beautiful shine. They are very resistant to corrosion, UV rays and scratches



Complete steel roof

Flamingo is ideally suited with Worthouse Modular Roofing Tiles



Easy and fast assembly

Flamingo components are made with care for the smallest detail and fit together perfectly, making the assembly fast and easy



Extra strong gutter hangers

Flamingo hanger can easily carry weight of 165 lbs

G90
0.90 oz/ft²
ZINC
275 g/m²
minimum

The system is made of the best quality steel covered with zinc 0.90 oz/ft²



Proven system

It is the best system for metal roofing. Recommended by roofers. Flamingo has been a success for many years



Gold Medal MTP BUDMA 2010
for the Flamingo Steel Gutter System

DIMENSIONS

Covering width

12"

306 mm

Panel height

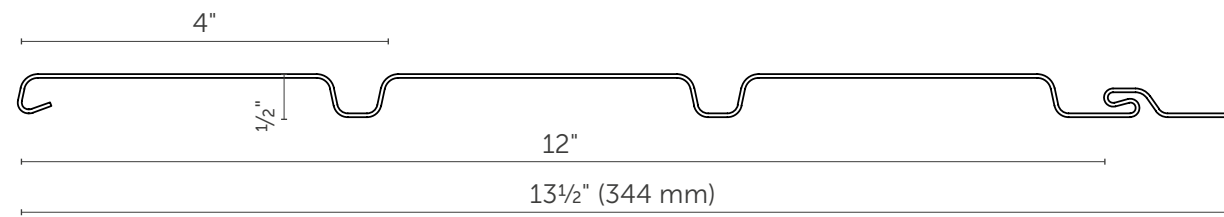
1/2"

12.2 mm

Panel length

9'-10"

3000 mm



COLORS

Traditional



Brown
~RAL 8017



Black
~RAL 9005



Dark Brown
~RAL 8019



White
~RAL 9010



Graphite
~RAL 7016

Wood pattern



Golden Oak
Wood pattern



Dark Oak
Wood pattern

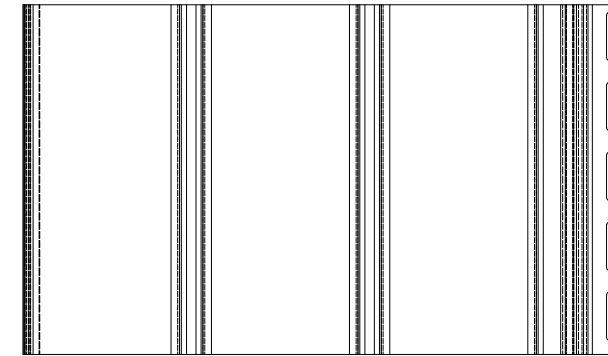


Winchester Oak
Wood pattern

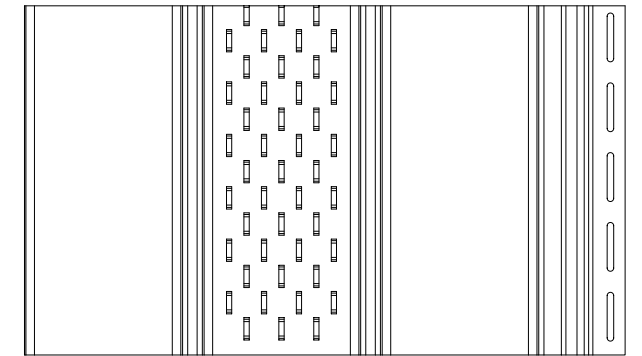
The colors shown are illustrative and may vary from the actual ones.

PVC SOFFIT

STANDARD PANEL



VENTED PANEL



Traditional



Wood pattern



J-channel

Traditional – Wood pattern



H-channel

Traditional – Wood pattern



Inside corner

Traditional – Wood pattern



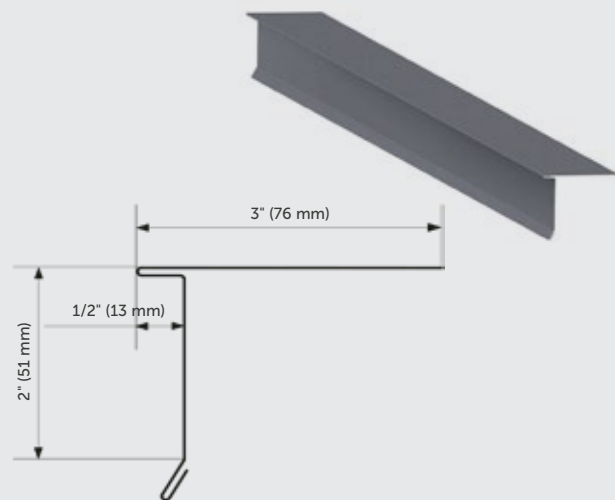
Outside corner

Traditional – Wood pattern

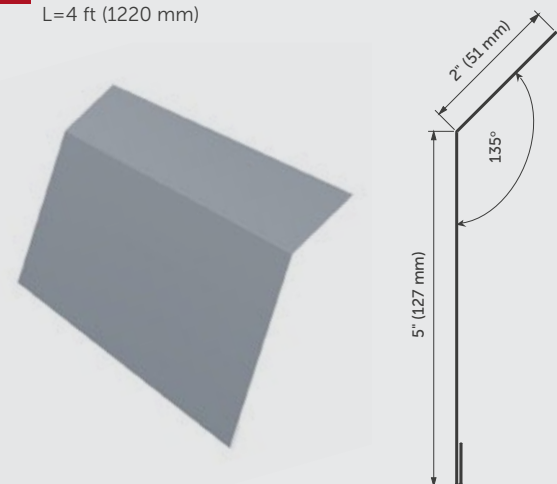
#smartmetalroofing

ACCESSORIES

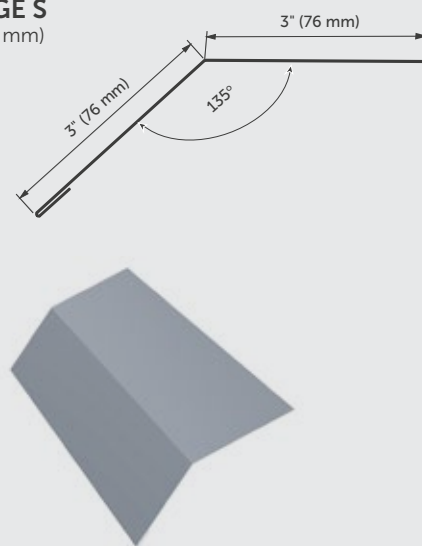
A STARTER STRIP
L=4 ft (1220 mm)



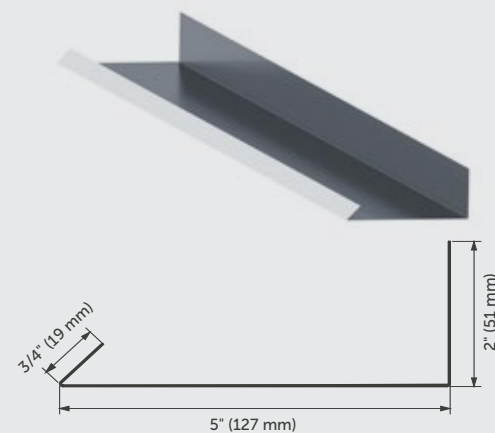
B DRIP EDGE L
L=4 ft (1220 mm)



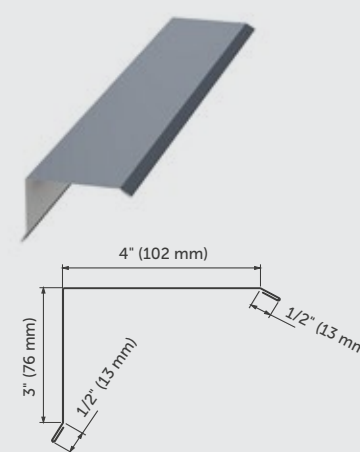
C DRIP EDGE S
L=4 ft (1220 mm)



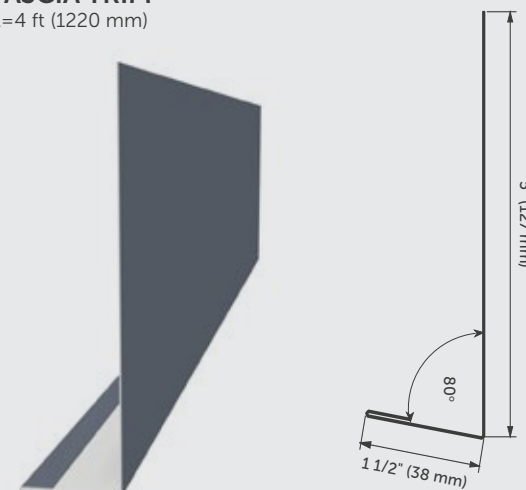
D INNER GABLE
L=4 ft (1220 mm)



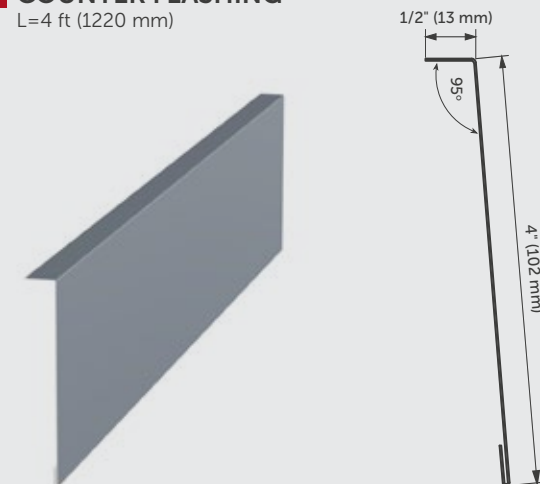
E OUTER GABLE
L=4 ft (1220 mm)



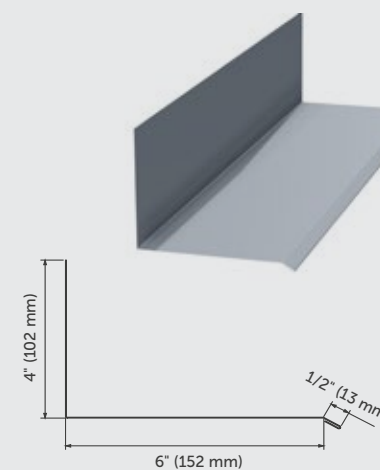
F FASCIA TRIM
L=4 ft (1220 mm)



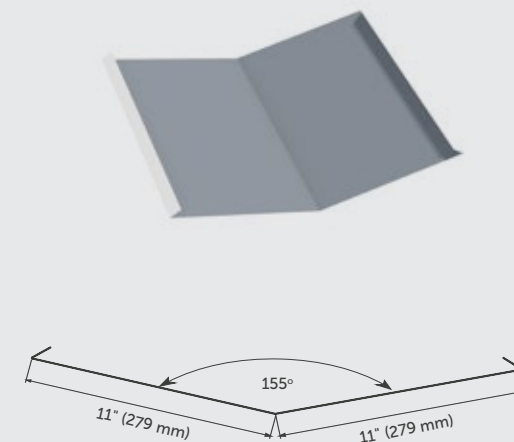
G COUNTER FLASHING
L=4 ft (1220 mm)



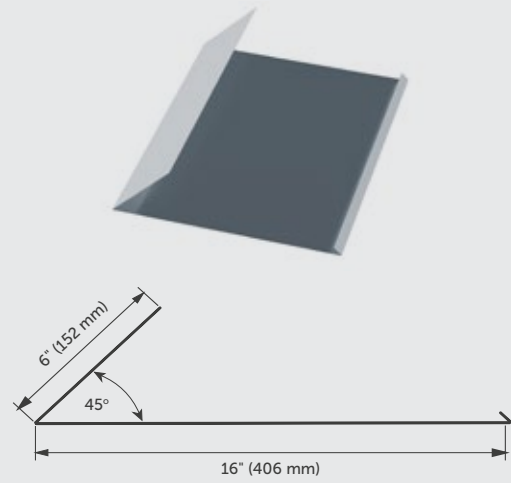
H SIDE CHIMNEY FLASHING
(OUTER DORMER FLASHING)
L=4 ft (1220 mm)



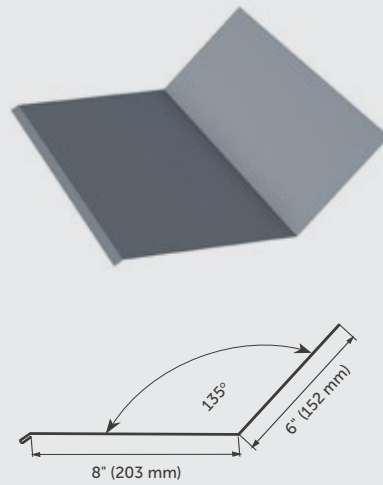
I VALLEY
L=4 ft (1220 mm)



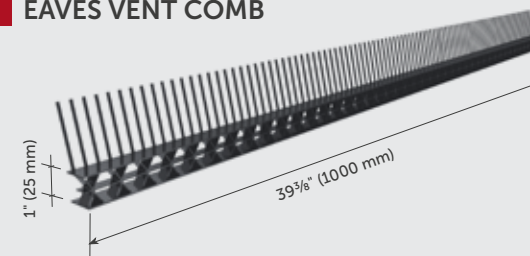
J BACK CHIMNEY FLASHING
L=4 ft (1220 mm)



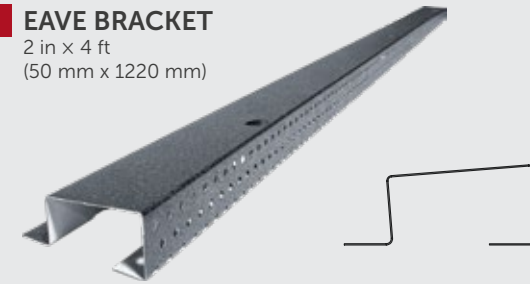
K FRONT CHIMNEY FLASHING
L=4 ft (1220 mm)



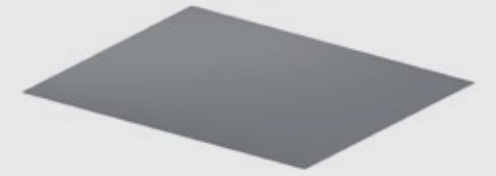
P1 EAVES VENT COMB



P2 EAVE BRACKET
2 in x 4 ft
(50 mm x 1220 mm)



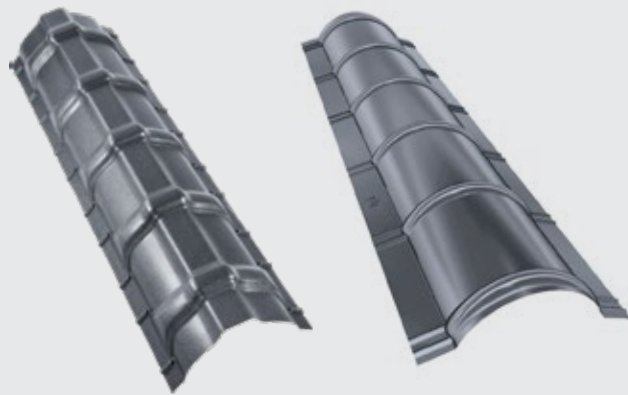
Q1 NOBLE MATT COATED FLAT SHEET
4' x 10'
(1250 mm x 3050 mm)



Q2 NOBLE MATT COATED STEEL COIL
24.61 in x 50 ft
(625 mm x 15.24 mb)



L1 HIP AND RIDGE TILE LUX
L=45.08" (1145 mm)



L2 HIP AND RIDGE TILE
L=49" (1250 mm)

M CHIMNEY VENT - UNINSULATED



FOR SUPRE

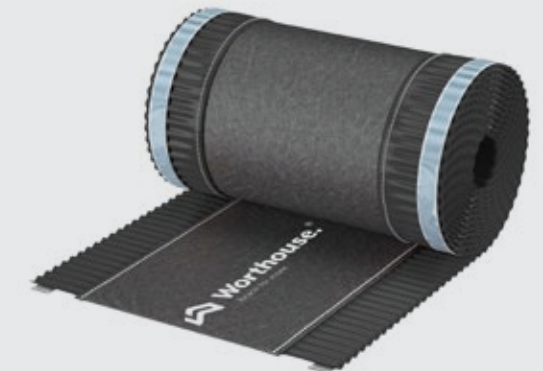
FOR ULTA

UNIVERSAL

R SEALING FOAM TAPE
0.4 in x 1.8 in x 10 ft 10 in
(10 mm x 45 mm x 330 cm)



S RIDGE VENT ROLL
12 in x 16.5 ft
(310 mm x 5 mb)



N SNOW GUARD
9.25 in x 5.12 in x 3.15 in
(235 mm x 130 mm x 80 mm)



O1 RIDGE END CAP
5.35 in x 0.71 in x 3.78 in
(212 mm x 18 mm x 96 mm)



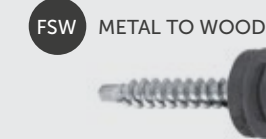
O2 CONE END CAP
12.5 in x 8 in x 3.25 in
(320 mm x 220 mm x 80 mm)



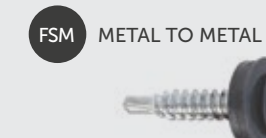
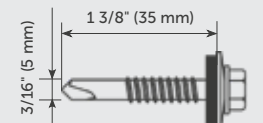
T MODULAR RAKE FOR SUPRE
LEFT, RIGHT



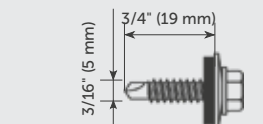
U SELF-DRILLING FASTENERS
Available in Galvanized Steel or in Stainless Steel



FSW METAL TO WOOD



FSM METAL TO METAL





Worthouse.®

Smart Metal Roofing



Extreme weather protection against hailstorm, rain, snow, heat and wind



One pallet – one job



Lightweight and easy to handle



Pre-drilled holes enable self-calibration of roof



Easy and space efficient storage



Quick and efficient installation



Roof angle and partially installed roof corrections



Batch-to-batch color consistency guarantee



Less than 5% material waste



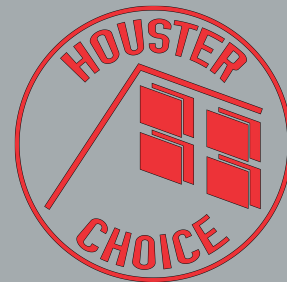
Complete set of accessories



High wind resistance



Fire protection – class A degree



Houser Choice LLC

143 Airport Road, Unit 45
East Stroudsburg, PA 18301

Tel: 570-664-8558

Tel: 884-486-7663

Fax: 800-716-7639

office@houserchoice.com

www.HouserChoice.com