

NORMAL INSULATED DN 4.25

Roof-vent

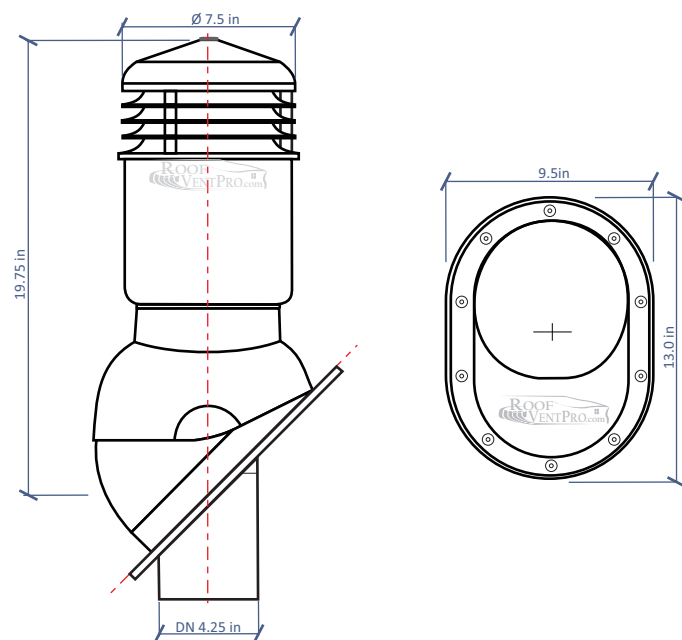
Catalog no.: **K24**

Complete roof-vent with profiled pass-through, installed directly on PVC pipe, flat and standing seam roof. Insulated type, which prevents from condensation of water-vapour in the air-duct during winter.

Technical data:

- Roof surface: flat and standing seam roof, classic rib
- Type: insulated
- Adjustable angle: 5°-45°
- Dimensions: DN4.25/H19.75in
- Package: 1pc/set
- Box size: 18x10x14
- Quantity on euro-pallet (71in): 34 pcs
- Net weight: 3.86 lbs
- Gross: 5.07 lbs
- Built-in level - bubble level
- Material: PP-polypropylene dyed in mass
UV stabilized

Technical drawing:



Available colors:



Green 6020



Brown 8017



Red 3009



Graphite 7024



Black 9005



Brick-red 8004

Set includes:

- roof-vent
- pass through
- butyl seal
- 14 pcs of farmer screws in roof-vent color

Details: www.RoofVentPro.com

Product from WIRPLAST US