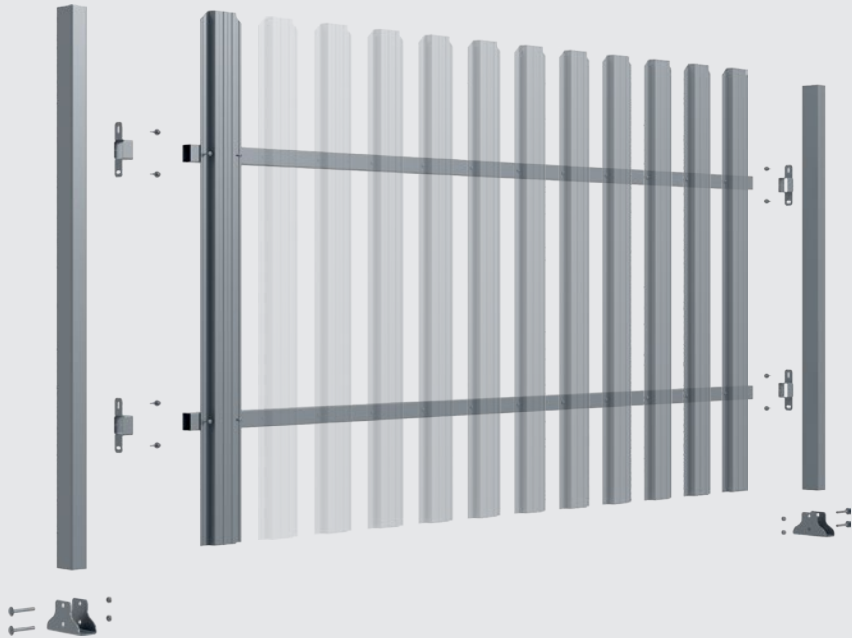


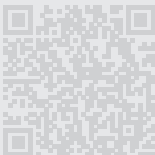


# Defender

**MODULAR METAL FENCING**



**INSTALLATION MANUAL  
FOR VERTICAL METAL FENCE PANEL**



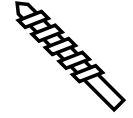
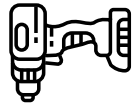
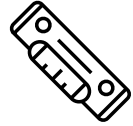
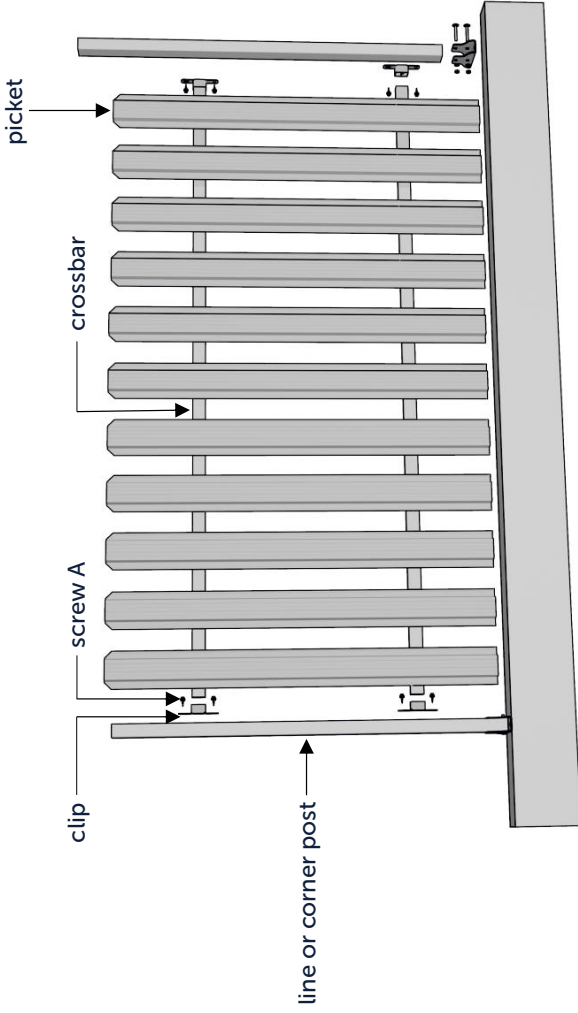
**ALWAYS CALL 811  
BEFORE YOU DIG**

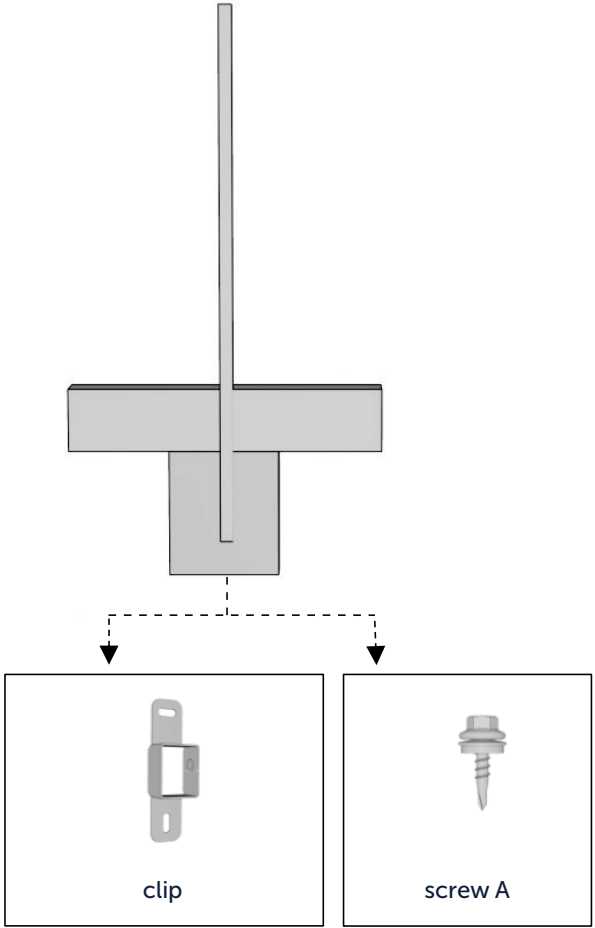
## PACK WITH YOUR FENCE

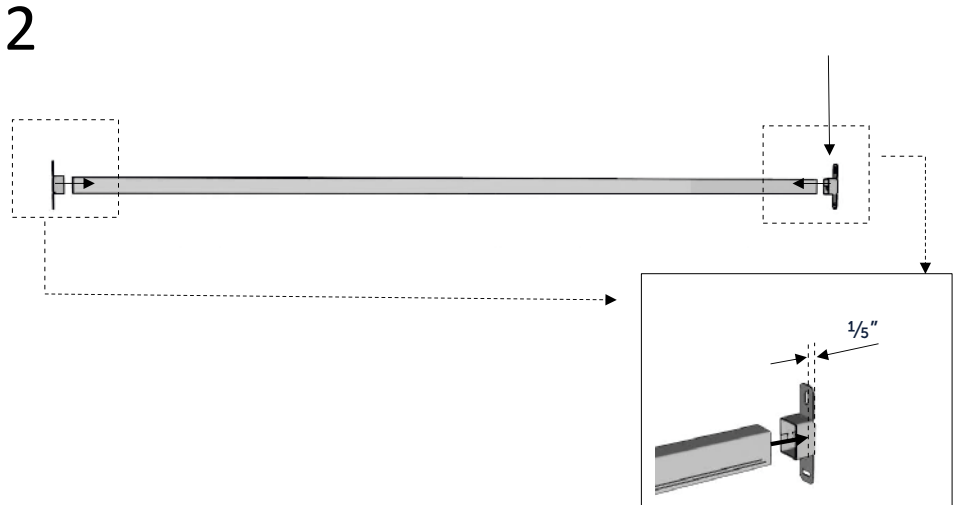
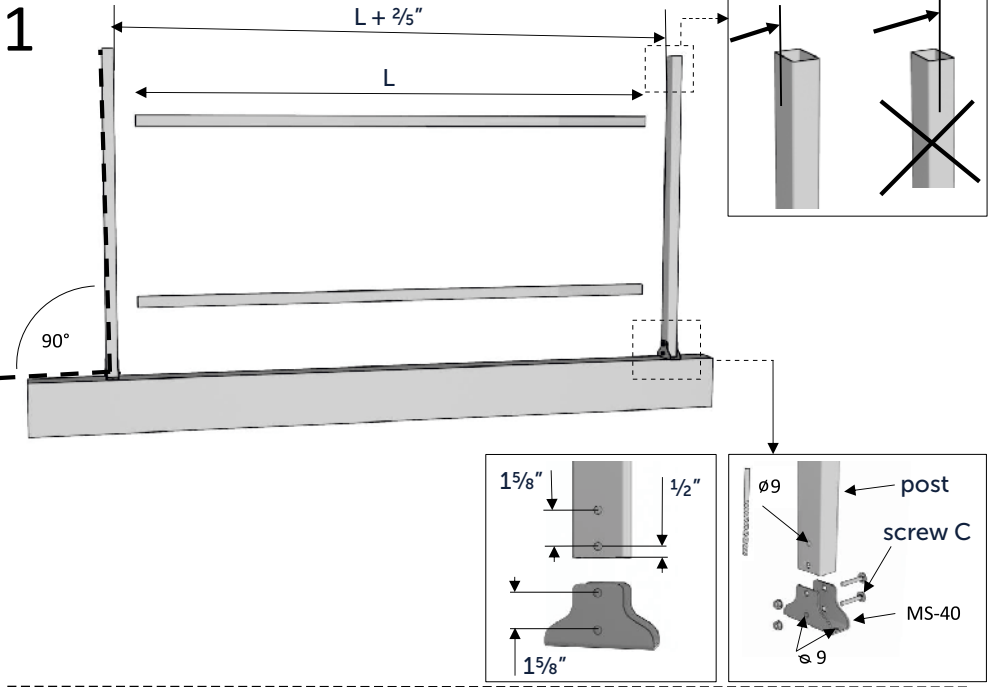
### Defender Vertical

Elements	Length	Quantity [pcs]
Picket	4 ft	12
Crossbar	6½ ft	2
Clip		4
Screw B		50
Screw A		8

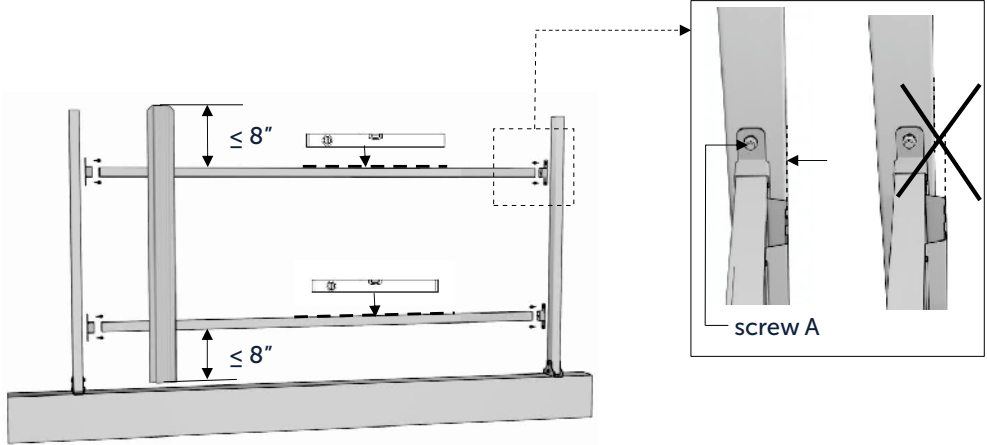
# Elements of Defender vertical metal fence panel



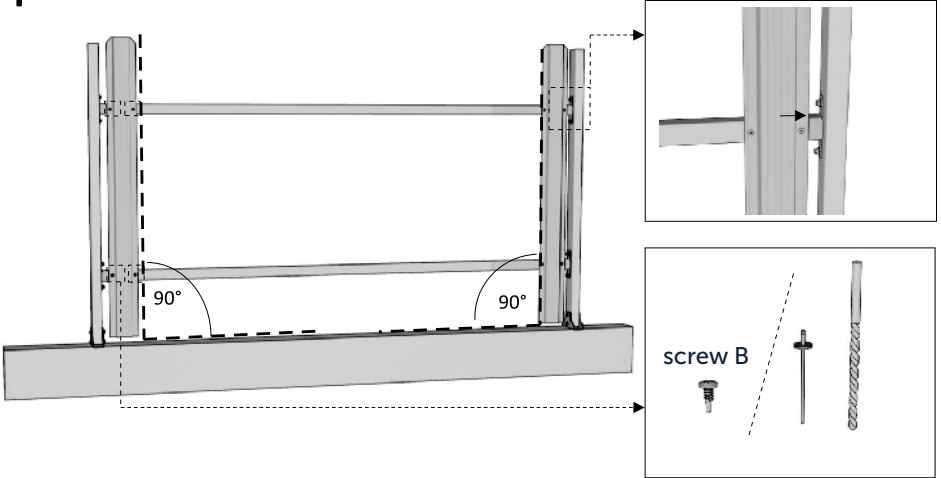




# 3



# 4



# 5

